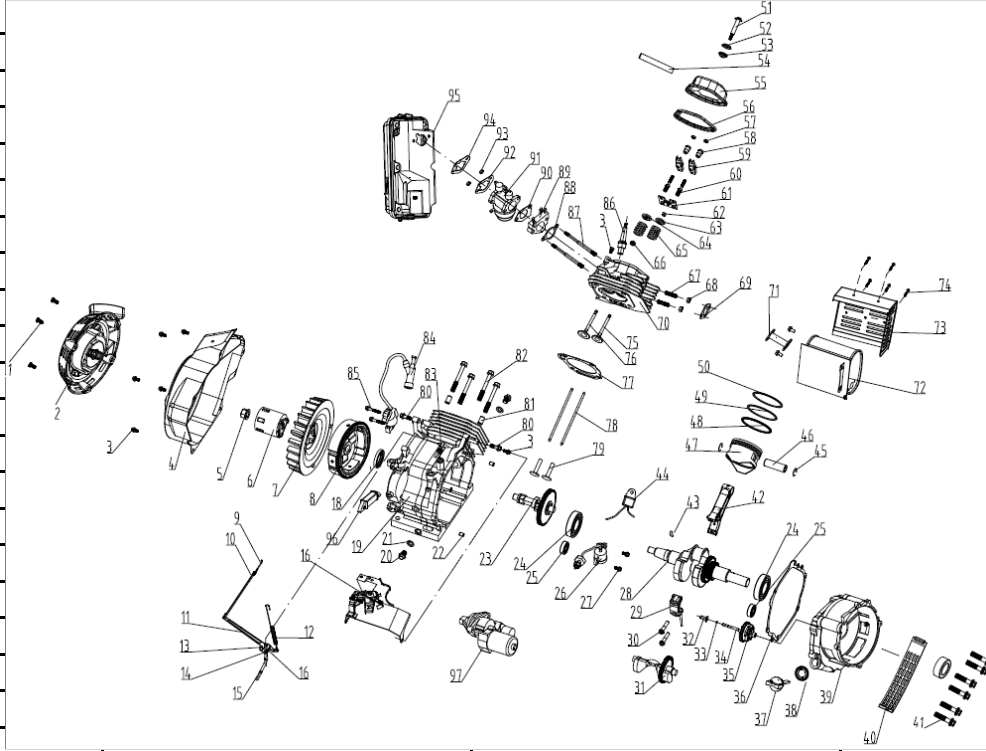
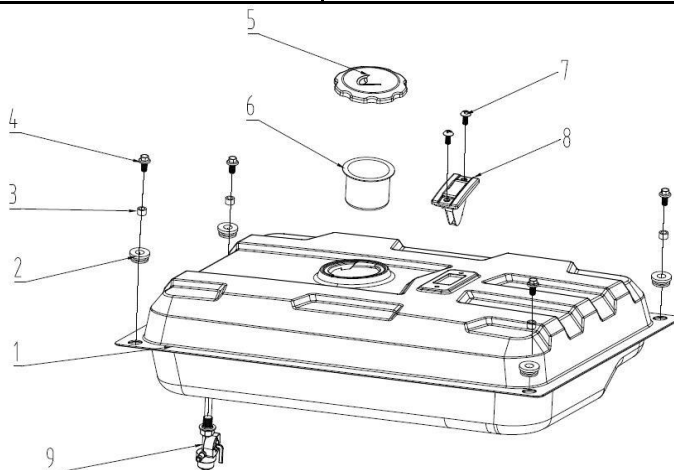


B28	Crankshaft		
B29	Connecting rod cover		
B30	Connecting rod bolt		
B42	Connecting rod body		
B31	Balance shaft		
B32	Governor cover		
B33	Retainer ring 6		
B34	Governor shaft		
B35	Governor gear		
B36	Crankcase gasket		
B37	Oil ruler		
B38	Oil ruler gasket		
B39	High crankcase cover		
B40	Dust-proof net		
B41	Flange Bolt M8×35		
B42, 29, 30	Connecting rod		
B43	Flywheel key		
B44	Interdiction organ		
B45	Piston pin clip		
B46	Piston pin		
B47	Piston		
B48	Oil ring		
B49	Second compression ring		
B50	Top compression ring		
B51	Cylinder cover bolt		
B52	Cylinder cover bolt gasket		
B53	Cylinder cover bolt airport gasket		
B54	Breather tube		
B55	Cylinder head cover		
B56	Cylinder head cover gasket		
B57	Rocker nut		
B58	Rocker adjust Nut		
B59	Rocker arm		
B60	Rocker bolt		
B61	Push rod keep frame		
B62	Exhaust valve hat		
B63	Exhaust valve spring retai		
B64	Intake valve spring retai		
B65	Valve spring		
B66	Valve leader seal		
B67	Stud bolt M8×32		
B68	Nut M8		
B69	Exhaust pipe Gasket		
B70	Cylinder head		
B71	Exhaust pipe		
B72	Muffler		
B73	Muffler cover		
B74	Flange bolt M6x8		
B75	Exhaust valve		
B76	Intake valve		
B77	Cylinder head gasket		
B78	Push rod		
B79	Tappet		
B80	Flange bolt M6x12		
B81	Cylinder head pin ϕ 12x20		
B82	Cylinder head bolt M10x80		
B83	Governer shaft seal		
B84	High voltage bag		
B85	Flange bolt M6x25		

B86	Spark		
B87	Set carburetor bolt		
B88	Carburetor insulator gasket		
B89	Carburetor insulator		
B90	Carburetor gasket		
B91	Carburetor		
B92	Air cleaner gasket		
B93	Flange nut M6		
B94	Air cleaner pressing plate		
B95	Air cleaner		
B96	Charge winding		
B97	Electric starter		

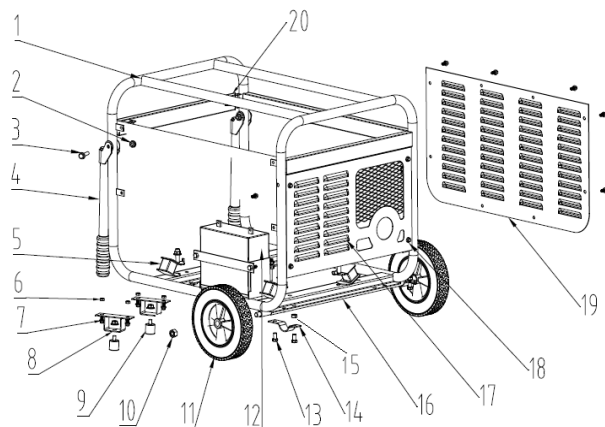


Part C:			
序号(No.)	名称 (English)		
C1	Fuel tank		
C2	Rubber gasket		
C3	Iron cover		
C4	Bolt M6×25		
C5	Fuel Tank Cover		
C6	Filter net		
C7	Bolt M5×12		
C8	Fuel Meter		
C9	Fuel swith		



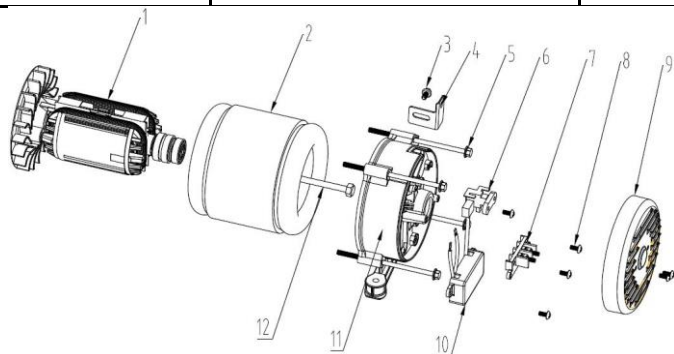
Part D:

序号(No.)	名称 (English)		
D1	Frame		
D2	Flange Nut M6		
D3	Flange Bolt M6×40		
D4	Handle		
D5	Left/Right damping feet		
D6	Flange Nut M8		
D7	Flange Nut M8×16		
D8	Supporting Feet		
D9	Rubber feet		
D10	Flange self-locking nut M12		
D11	Plastic wheels		
D12	Battery		
D13	Flange Bolt M8×16		
D14	Shaft fixed bracket		
D15	Flange nut M8		
D16	Shaft		
D17	Back guard plate		
D18	Flange bolt M6x12		
D19	Side guard plate		
D20	Moved cross beam		



Part E:

序号(No.)	名称 (English)		
E1	Rotor		
E2	Stator		
E3	Bolt M6×12		
E4	Hang feet		
E5	Stator bolt		
E6	Carbon brush		
E7	junction Box		
E8	Bolt M5×12		
E9	Back Cover		
E10	Adjust Voltage Regulator		
E11	Generator End Bell		
E12	Rotor bolt		



Part F:

序号(No.)	名称 (English)		
F1	Electric door lock		
F2	Iron panel		
F3	Voltage meter		
F4	Voltage meter cover		
F5	Bolt M4×12		
F6	230V AC Socket		
F7	Self tapping screw M4x12		
F8	Single phase breaker		
F9	Single phase breaker cover		
F10	Three phase industrial socket		
F11	Three phase breaker		
F12	Three phase breaker cover		
F13	Change-over switch		
F14	Earth bolt		
F15	Bolt M6×16		
F16	Panel		
F17	Inner ead		
F18	Bridge rectifiers		
F19	DC breaker		
F20	DC terminal		

